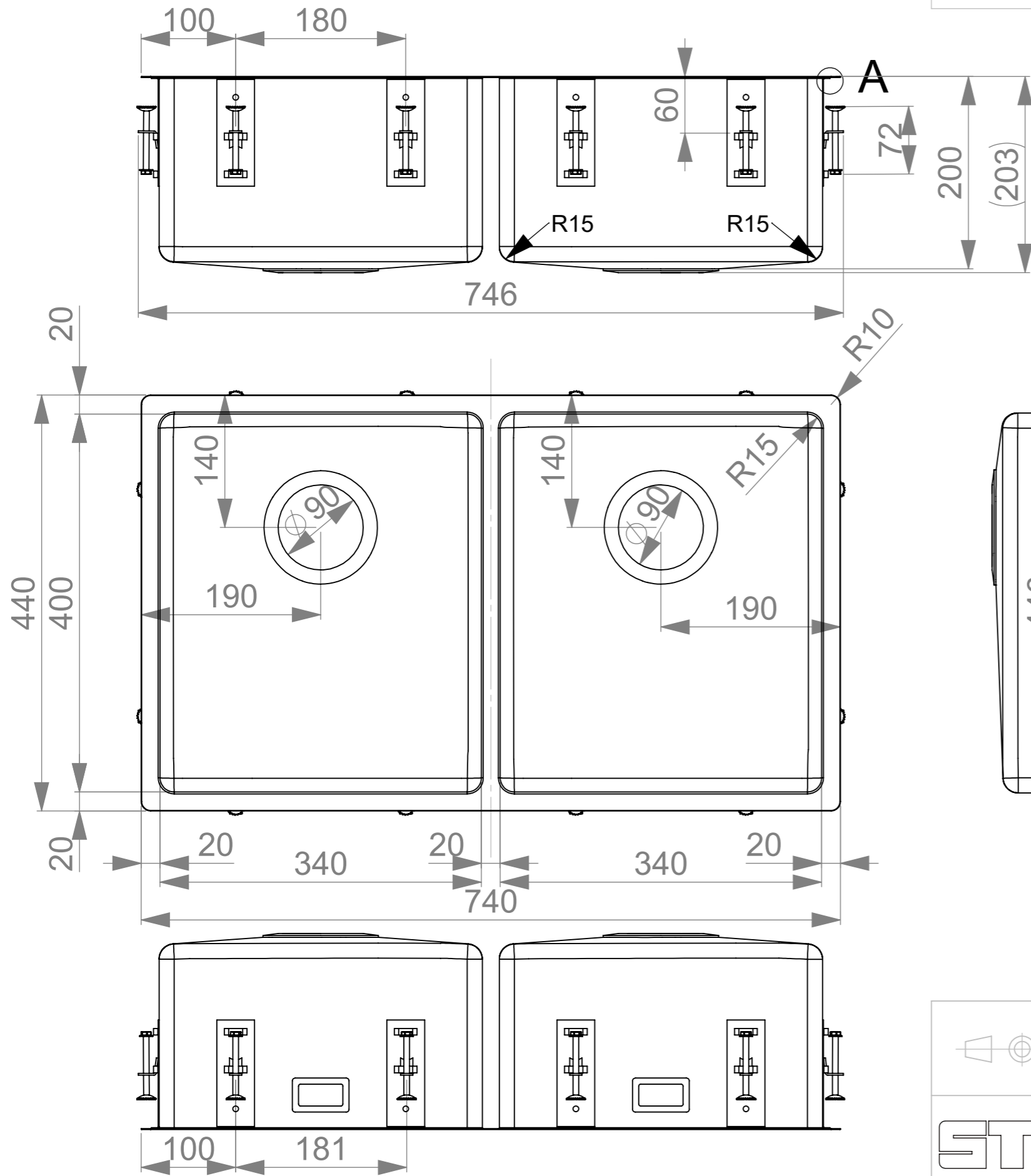


MAIN DIMENSIONS

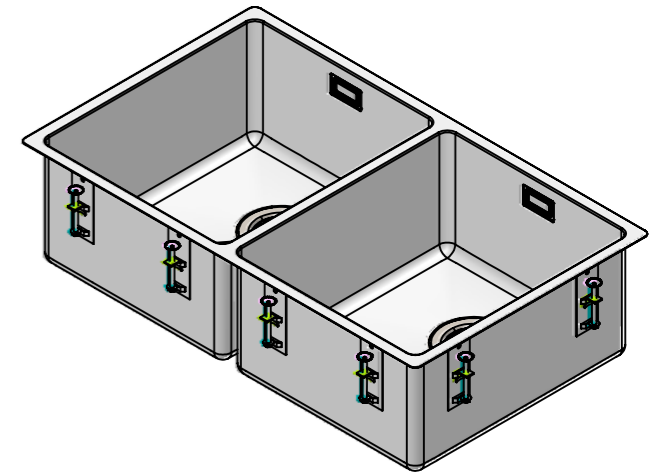
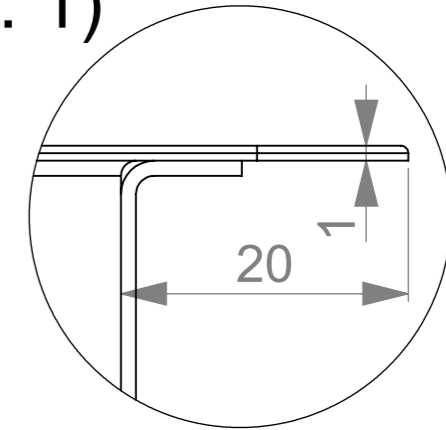
Change description

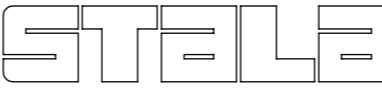
Date
15.10.2020

Designed by
VS

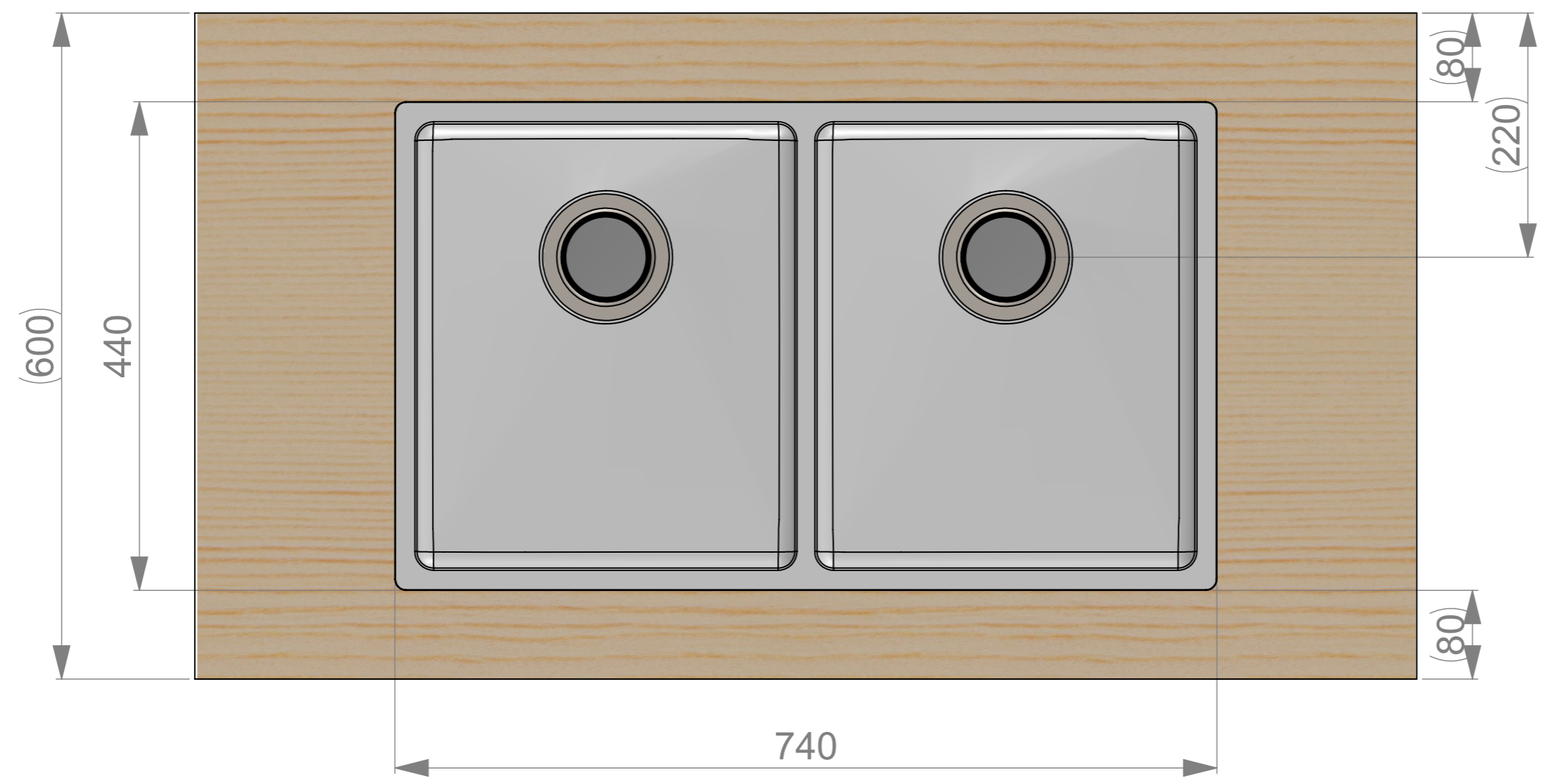


Mono edge
A (2 : 1)



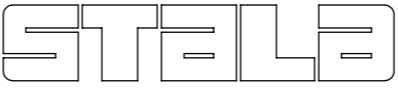
 www.stala.com	Mass	kg	General tolerance	Designed by	Date
	Size	Scale	Item	VS	06.02.2019
	A3	1:5	Description	Approved by	Date
			LAGOM-34-34	Drawing number	Sheet/sheets
			Technical Data Sheet	18200	1/6
				Rev	A

WORKTOP ASSEMBLY



A
B
C
D
E
F

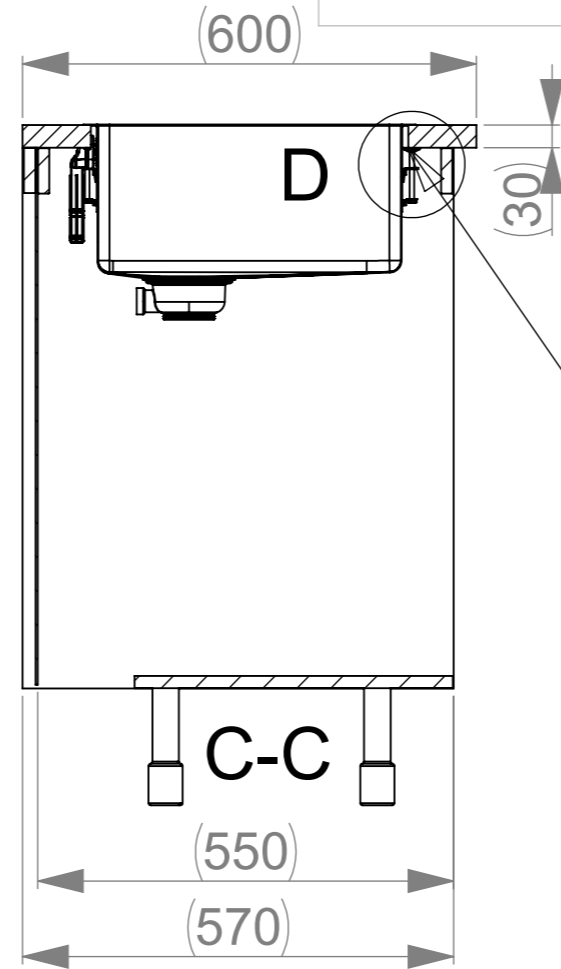
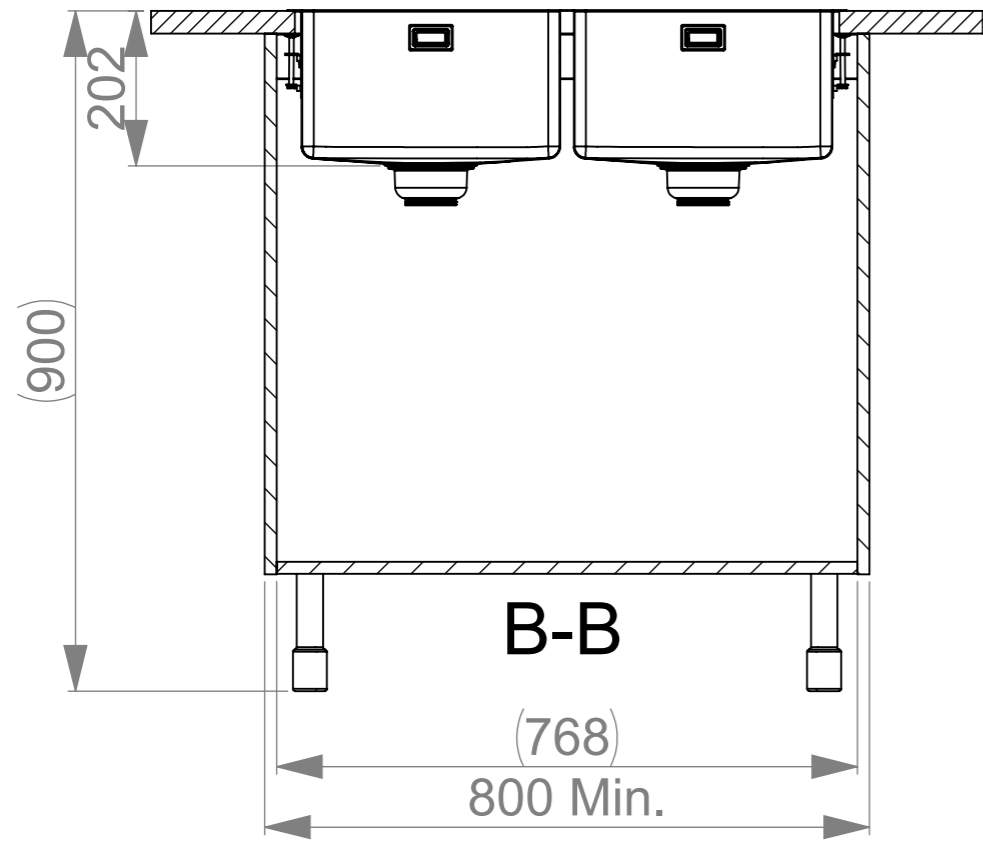
A
B
C
D
E
F

 www.stala.com	Mass kg	General tolerance	Designed by VS	Date 06.02.2019
	Size A3	Scale 1:5	Item	Approved by
Description LAGOM-34-34 Technical Data Sheet			Drawing number 18200	Sheet/sheets 2/6 Rev A

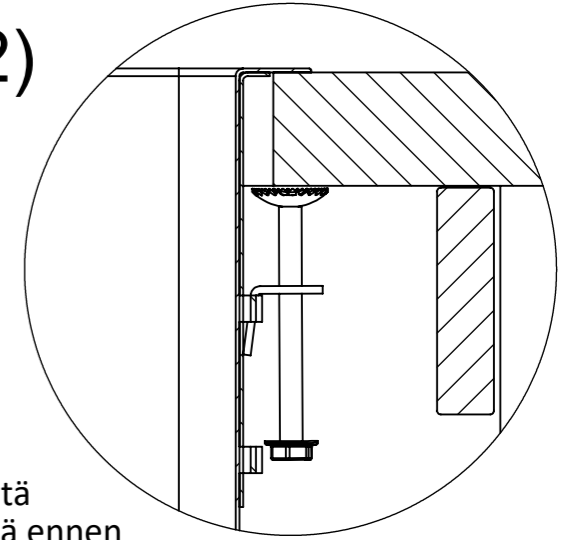
SPACE REQUIREMENTS

Change description

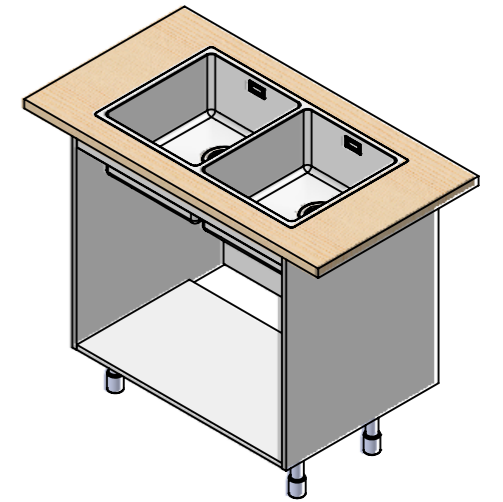
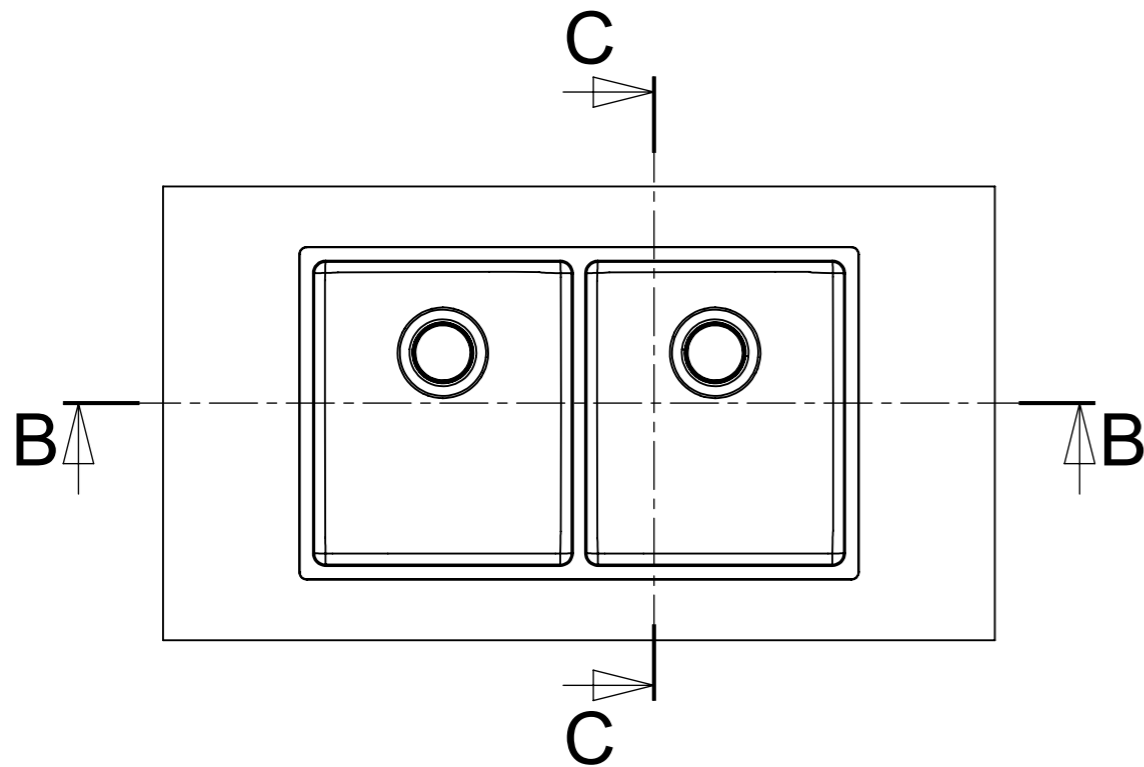
Date 15.10.2020
Designed by VS


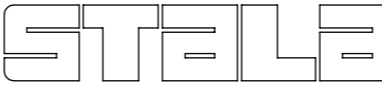


D (1 : 2)

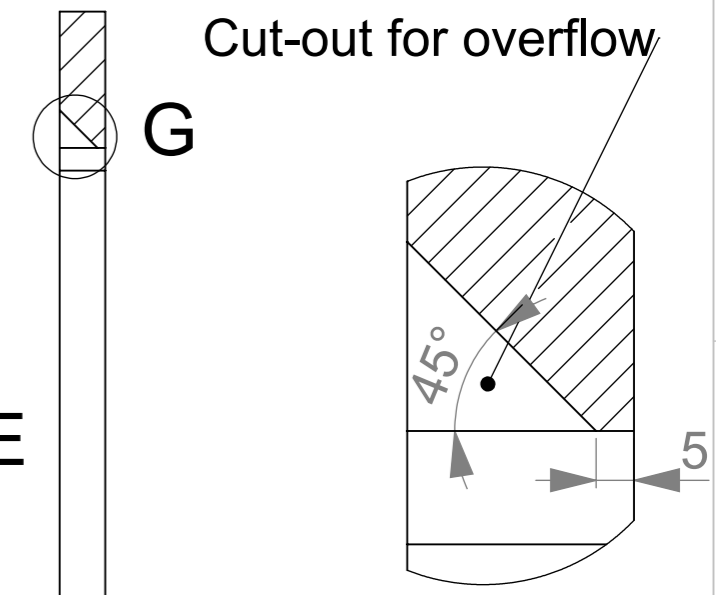
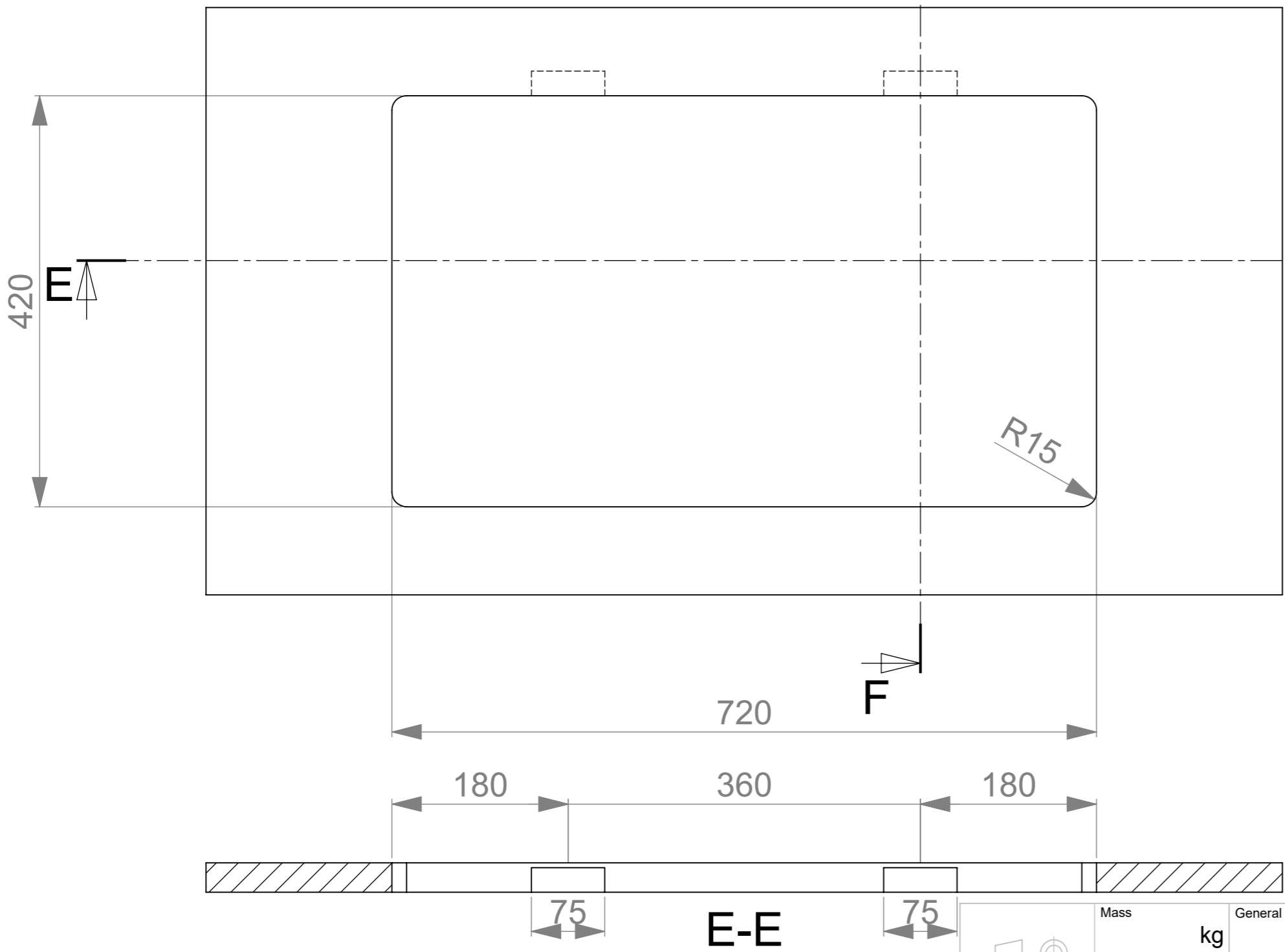


Huom!
Tarvittaessa kaapin väliseinää ja etu/takalistaa lovetettava kiinnikkeitä varten ja pesuallas on kiinnitettävä ennen työtason asennusta.
Obs!
Vid behov måste en inskärning för hofästena göras i skåpets mellanvägg och förbindningslist och diskbänken måste fästas innan du monterar bänkskivan.
Notice!
The partition walls and front/back list of the cupboard must be notched for the sink mountings when needed and the sink must be fastened before installing the worktop.



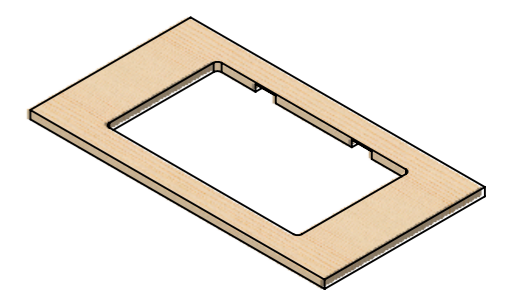
	Mass	kg	General tolerance	Designed by	Date
	Size	Scale	Item	VS	06.02.2019
 www.stala.com	A3	1:10	Description	Approved by	Date
	LAGOM-34-34			Drawing number	Sheet/sheets
	Technical Data Sheet			18200	3/6
				Rev	A

CUT-OUT

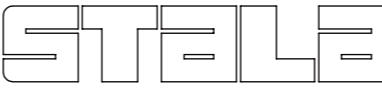


G (1 : 1)

F-F



E-E

 www.stala.com	Mass	kg	General tolerance	Designed by	Date
	Size	Scale	Item	VS	06.02.2019
LAGOM-34-34 Technical Data Sheet	A3	1:5		Approved by	Date
	Description			Drawing number	Sheet/sheets
				18200	4/6
				Rev	A

