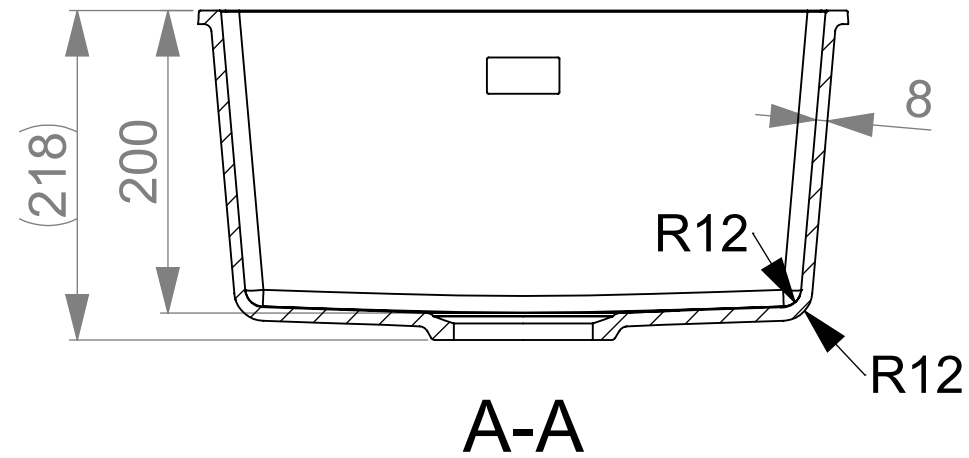
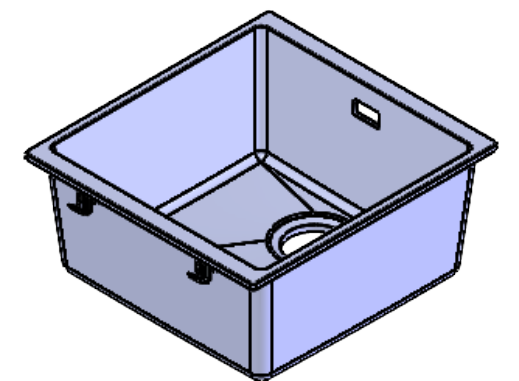
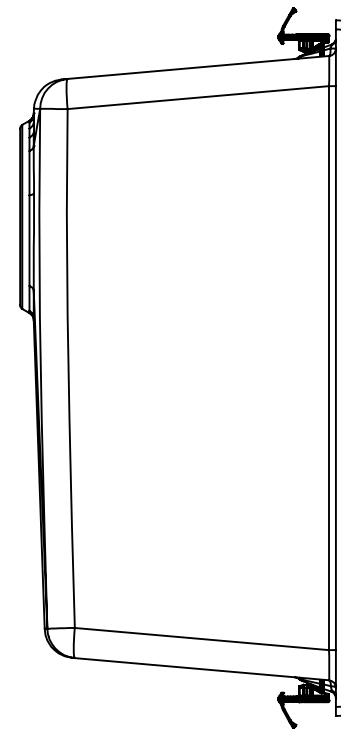
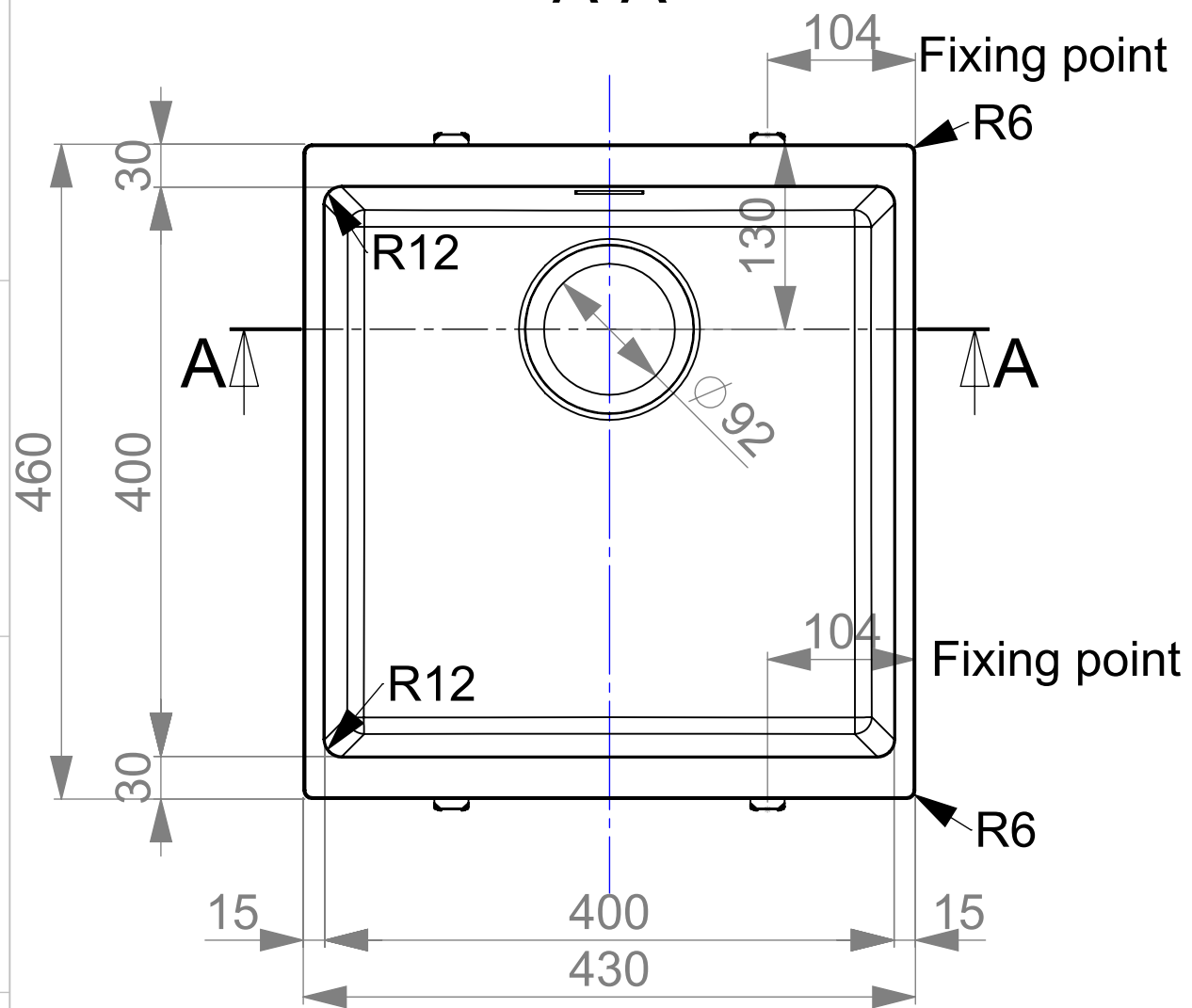


5	6	7	8
Change description		Date	Designed by

MAIN DIMENSIONS

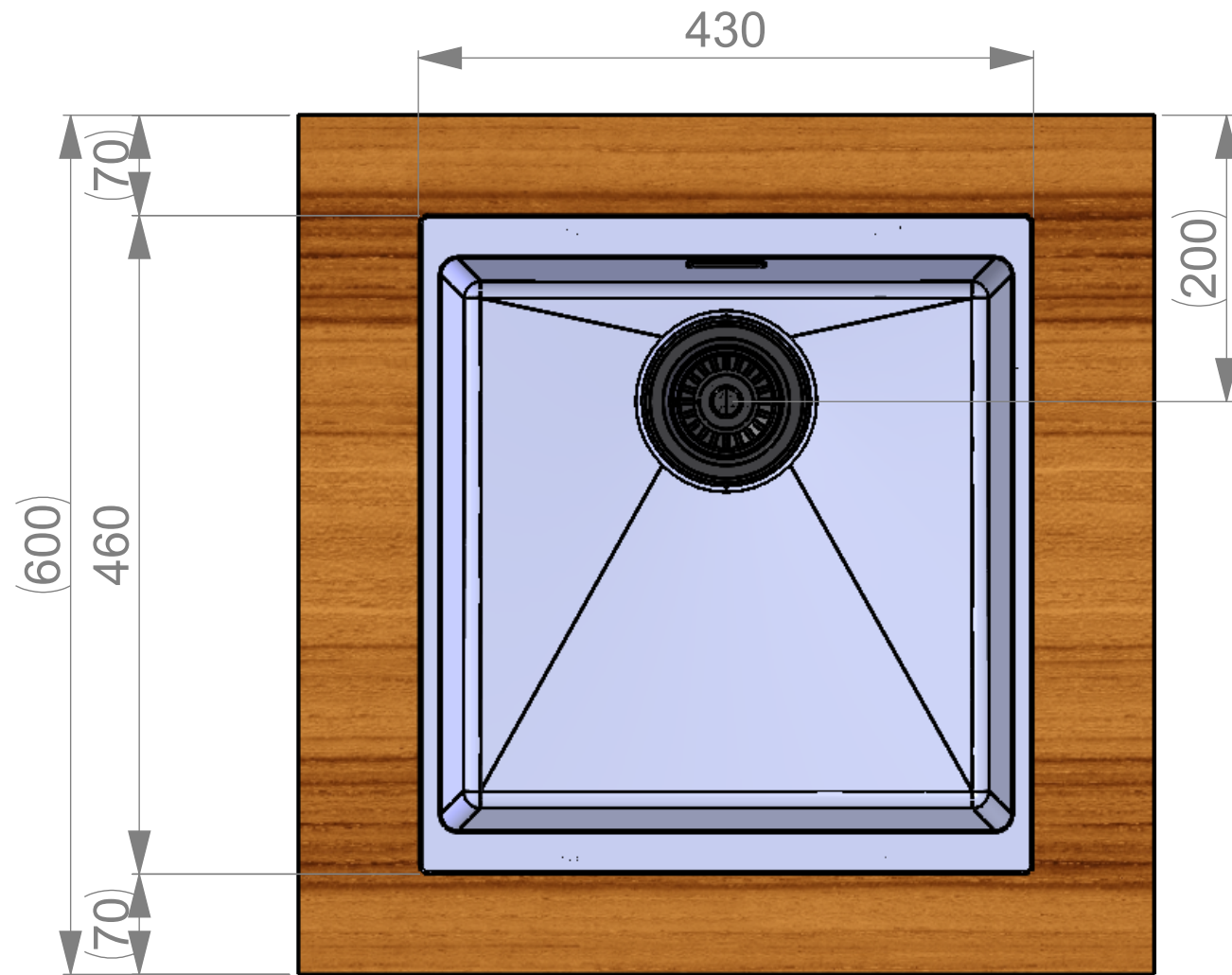


A-A



	Mass	kg	General tolerance	Designed by	Date
	Size	Scale		Item	VS
 Member of ALVEUS	A3	1:5	Description	Approved by	Date
			CEG-E40B	VS	20.01.2023
			Technical Data Sheet	Drawing number	Sheet/sheets
			19571	1/6	Rev
				A	

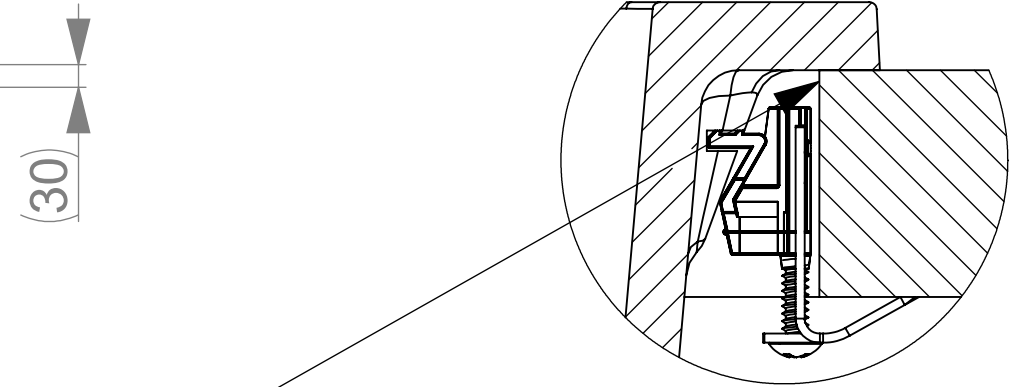
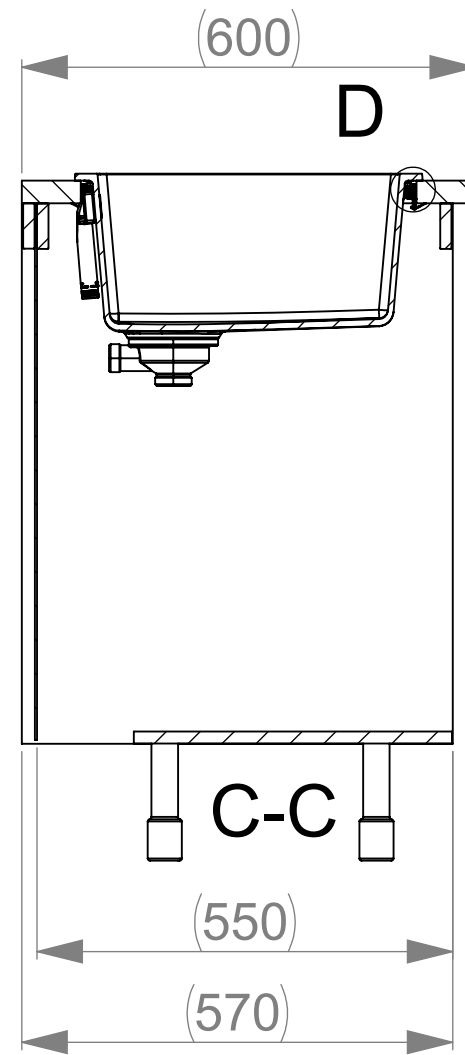
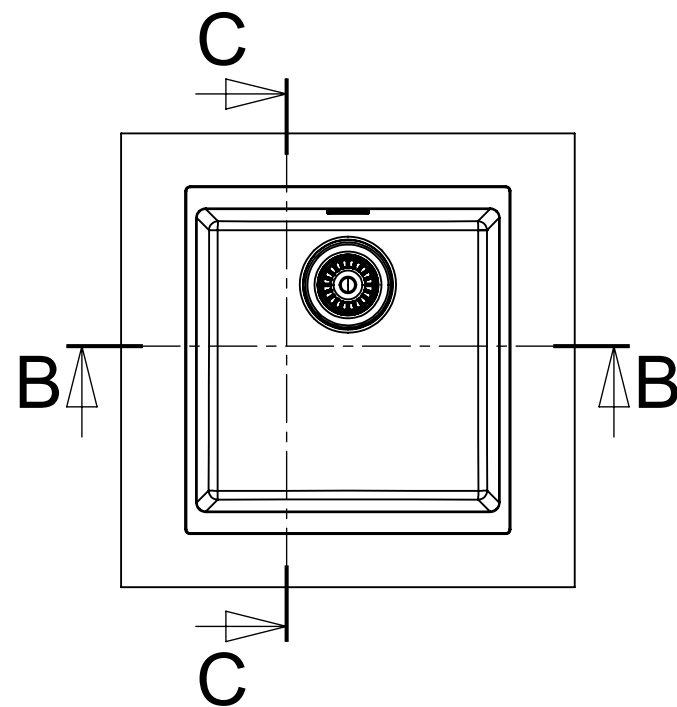
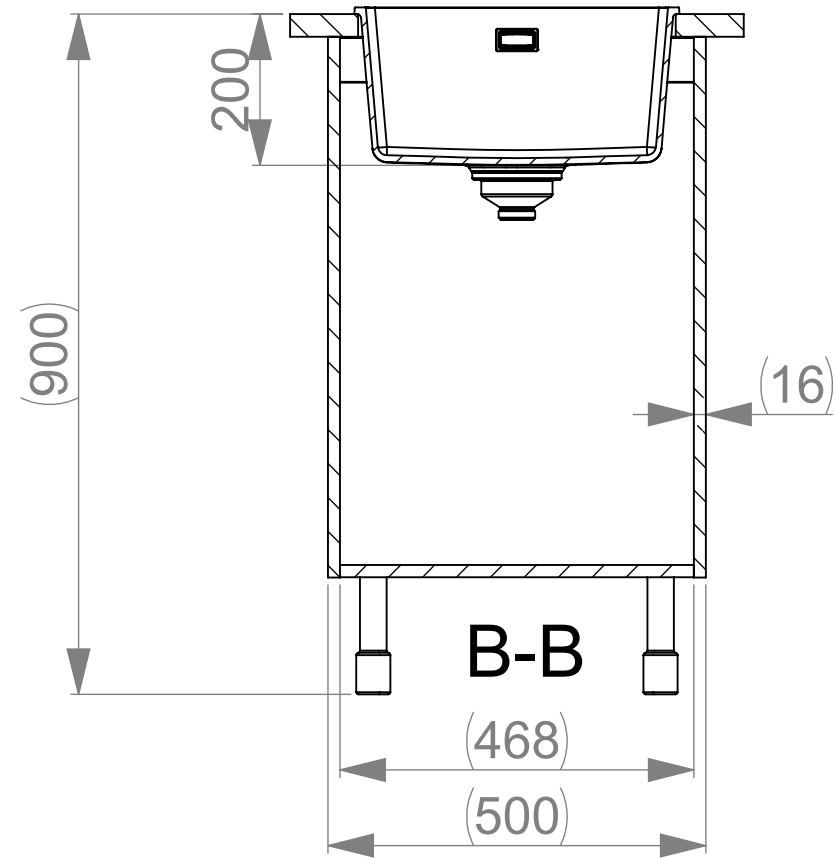
WORKTOP ASSEMBLY



Change description	Date	Designed by
--------------------	------	-------------

	Mass	kg	General tolerance	Designed by	Date
	Size	Scale	Item	VS	27.12.2022
 STALA Member of ALVEUS	A3	1:5	Description	Approved by	Date
			CEG-E40B	VS	20.01.2023
			Technical Data Sheet	Drawing number	Sheet/sheets
			19571	2/6	Rev
				A	

SPACE REQUIREMENTS

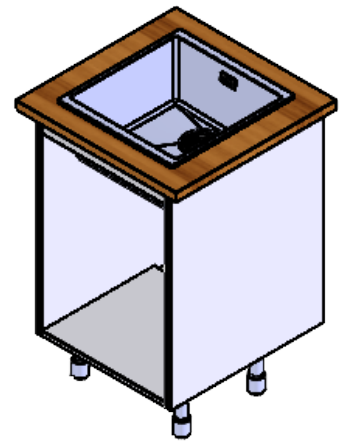


D (1 : 1)

Huom!
 Tarvittaessa kaapin väliseinää ja etu/takalistaa lovetettava kiinnikkeitä varten ja pesuallas on kiinnitettävä ennen työtason asennusta.

Obs!
 Vid behov måste en inskärning för hofästena göras i skåpets mellanvägg och förbindningslist och diskbänken måste fästas innan du monterar bänkskivan.

Notice!
 The partition walls and front/back list of the cupboard must be notched for the sink mountings when needed and the sink must be fastened before installing the worktop.

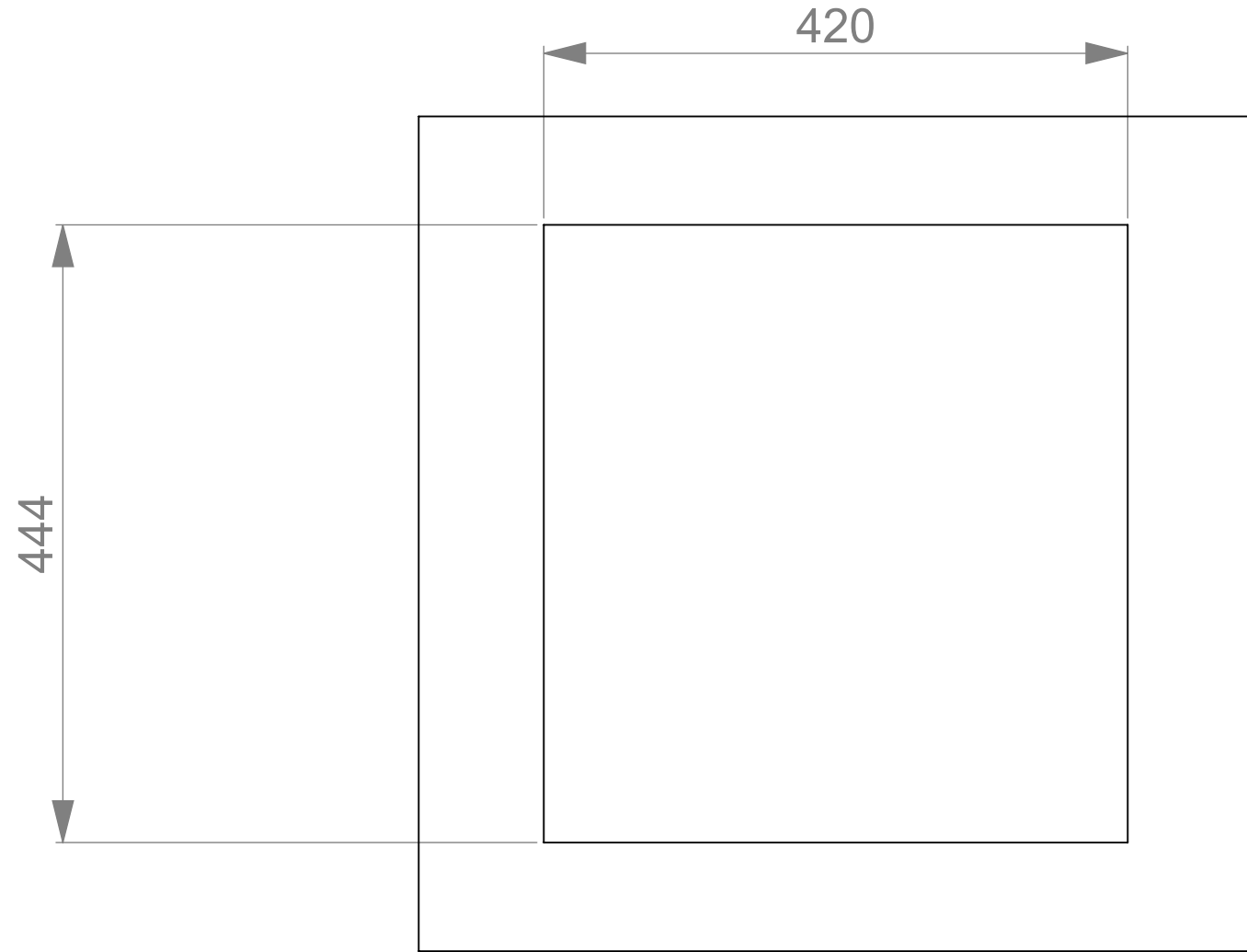


	Mass	kg	General tolerance	Designed by	VS	Date	27.12.2022	
	Size	A3		Scale	1:10	Item	Approved by	VS
 Member of ALVEUS			Description	CEG-E40B		Drawing number	19571	
			Technical Data Sheet		Sheet/sheets	3/6		
							Rev	A

1 2 3 4 5 6 7 8

Change description	Date	Designed by
--------------------	------	-------------

CUT-OUT



A
B
C
D
E
F

A
B
C
D
E
F

	Mass	kg	General tolerance	Designed by	Date
	Size	Scale	Item	VS	27.12.2022
 STALA Member of ALVEUS	A3	1:5	Description CEG-E40B Technical Data Sheet	Approved by	Date
				VS	20.01.2023
			Drawing number	Sheet/sheets	Rev
		19571	4/6	A	

1 2 3 4 5 6 7 8

