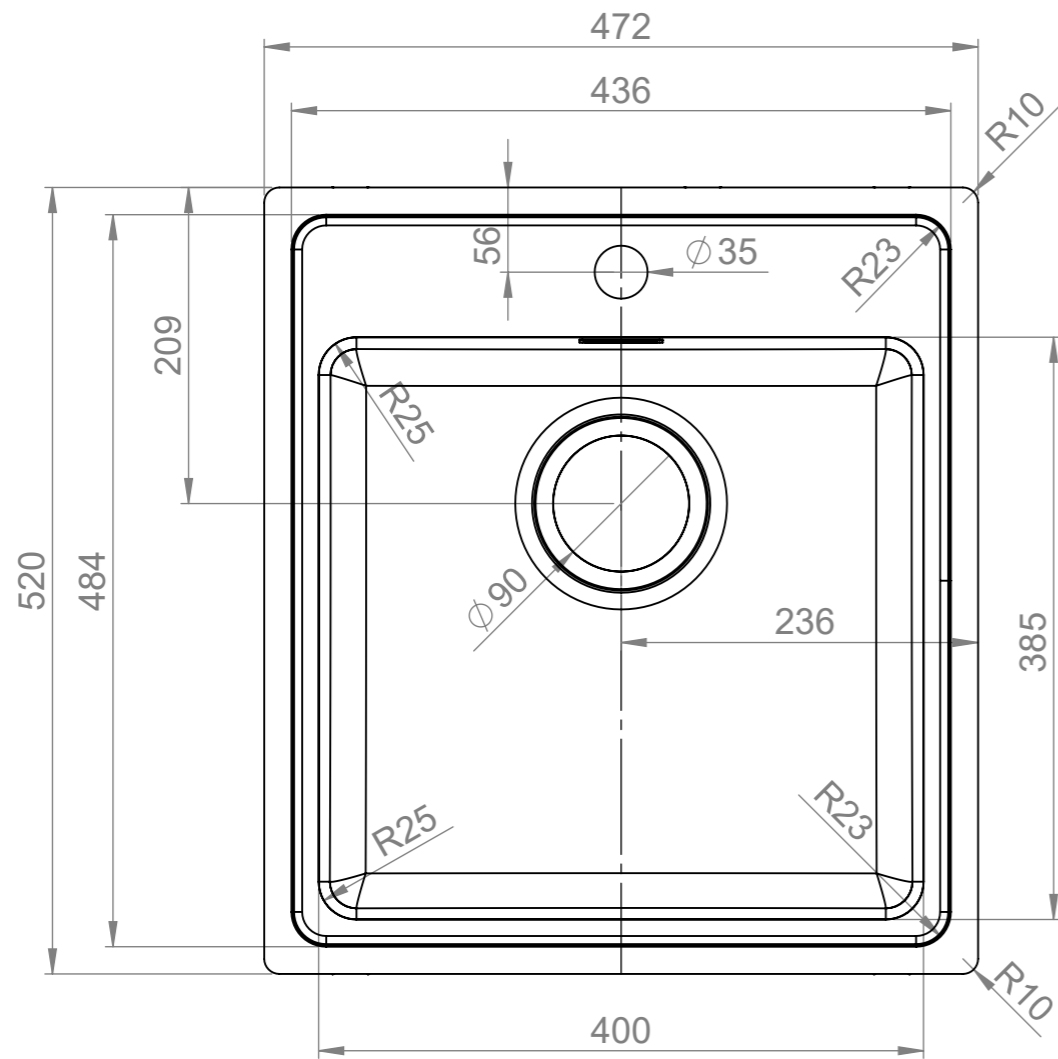
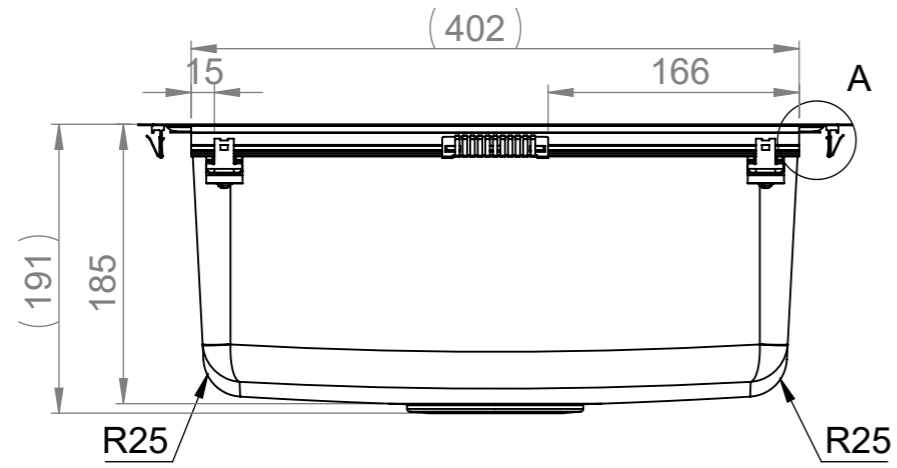


MAIN DIMENSIONS

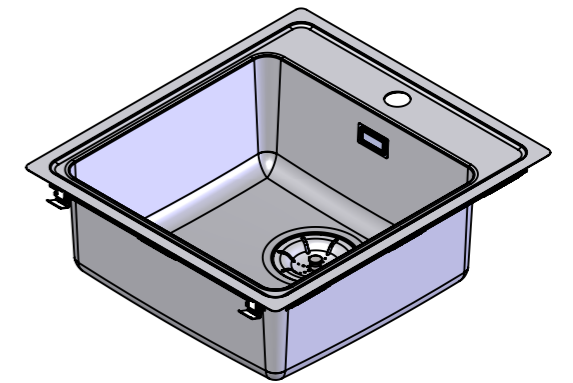
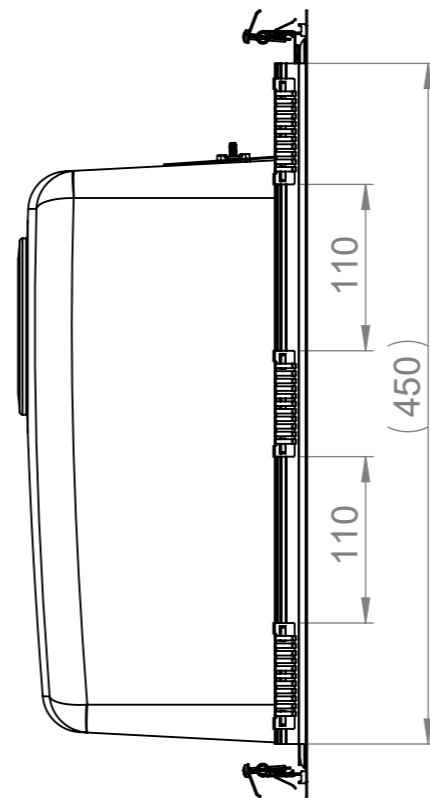
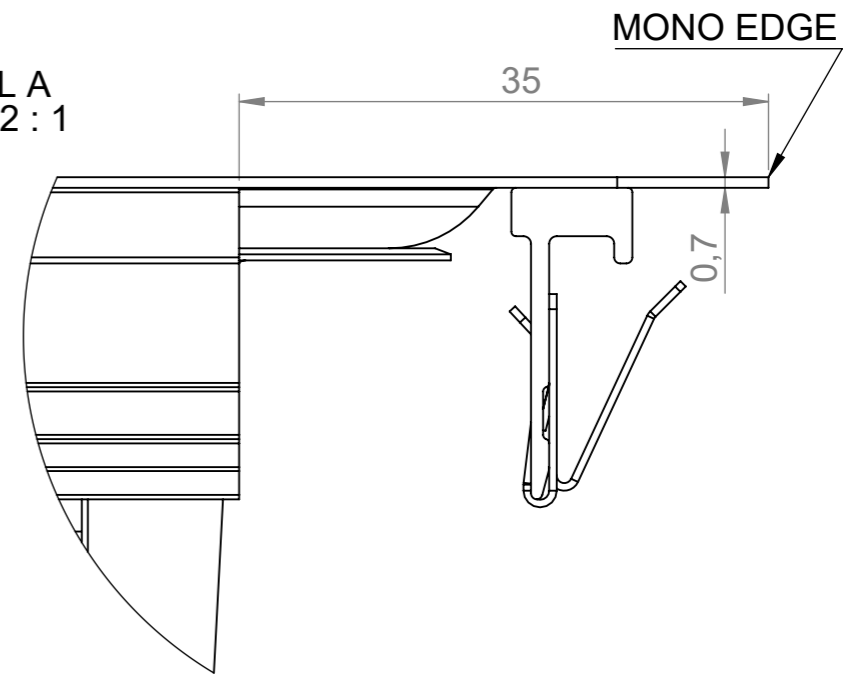


Change description

Date

Designed by

DETAIL A
SCALE 2:1



	Mass	kg	General tolerance	Designed by	Date
	Size	Scale	Item	PJ	03.03.2023
	A3	1:5		Approved by	Date
				VS	08.08.2023
 Member of ALVEUS			Description	Drawing number	Sheet/sheets
			ONE-T40	19600	1/6
				Rev	A

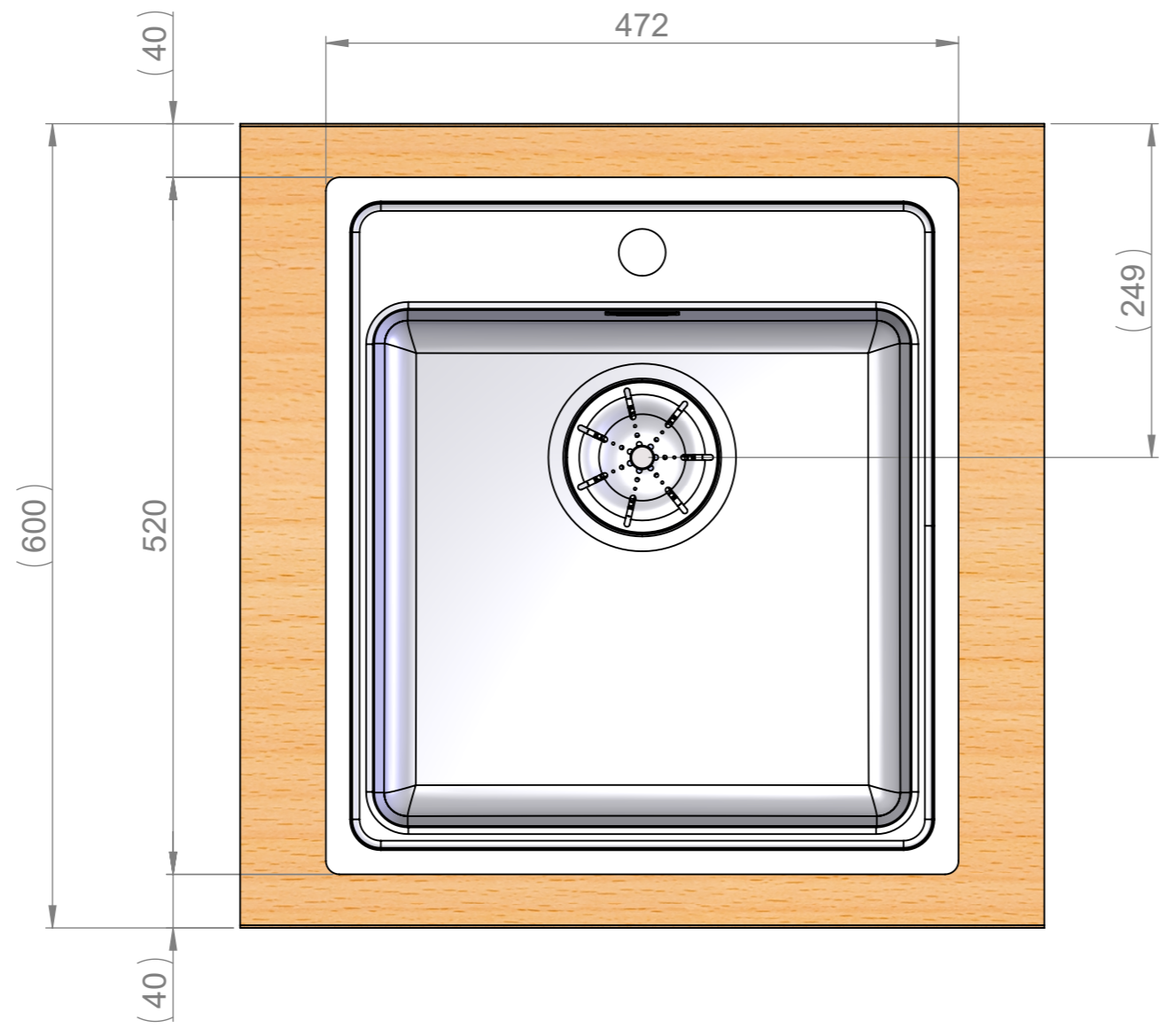
STALA ONE-T40
Member of ALVEUS Technical Data Sheet

19600

1/6
A

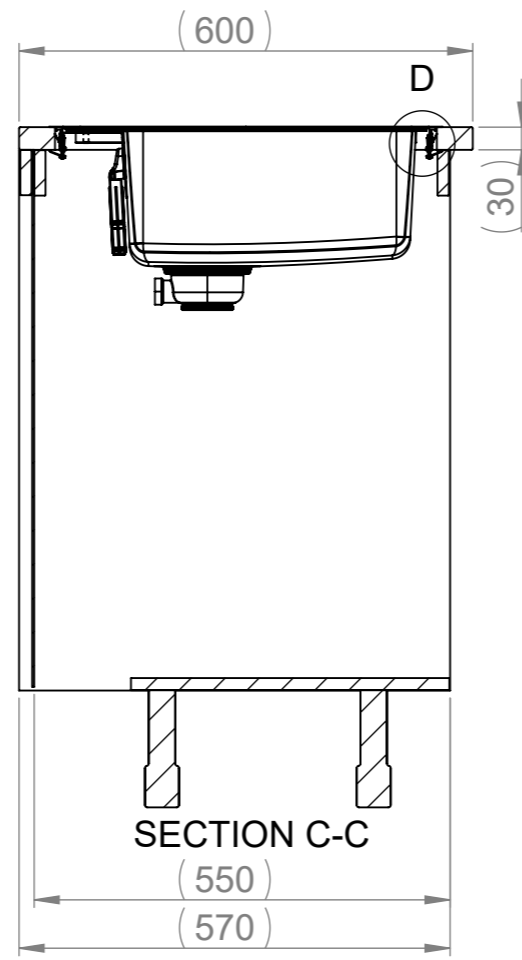
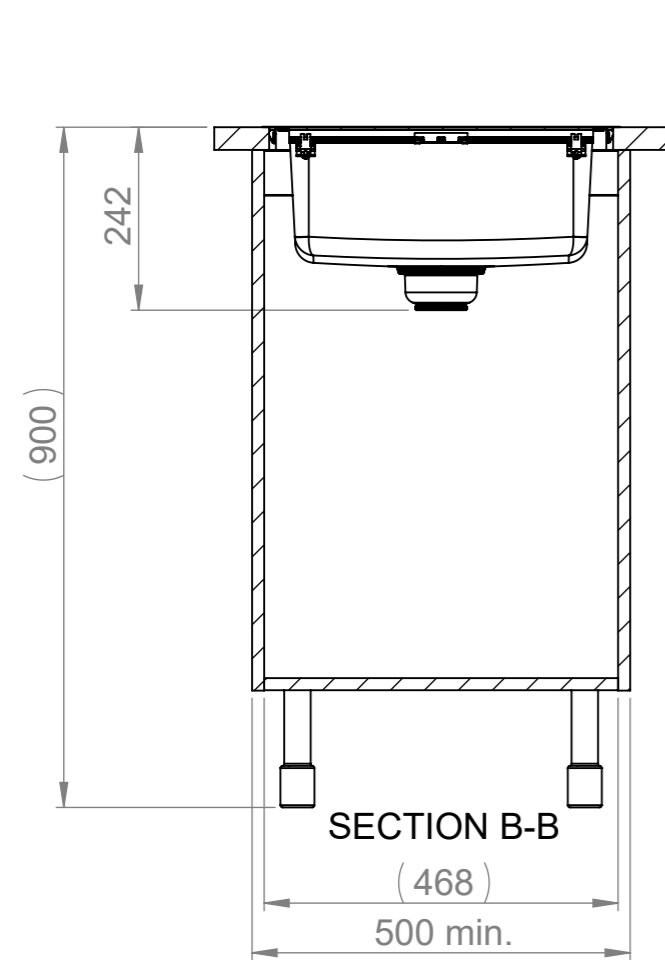
WORKTOP ASSEMBLY

Change description	Date	Designed by
--------------------	------	-------------

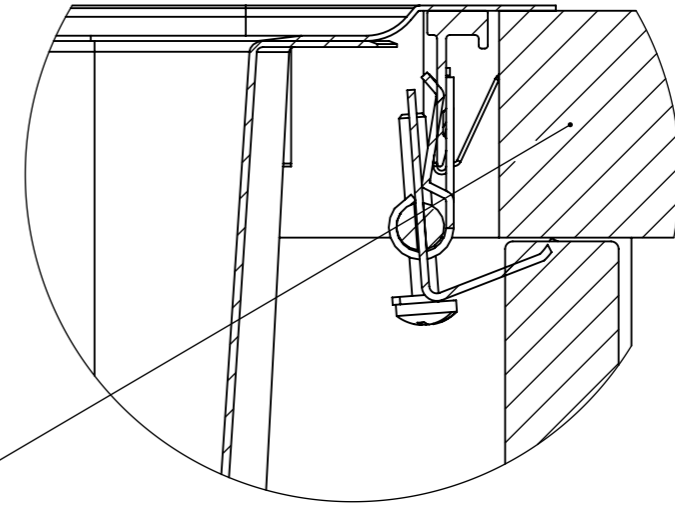


	Mass	kg	General tolerance	Designed by	Date
	Size	Scale	Item	PJ	03.03.2023
 STALA Member of ALVEUS	A3	1:5	Description	Approved by	Date
			ONE-T40	VS	08.08.2023
			Technical Data Sheet	Drawing number	Sheet/sheets
			19600	2/6	Rev
				A	

SPACE REQUIREMENTS



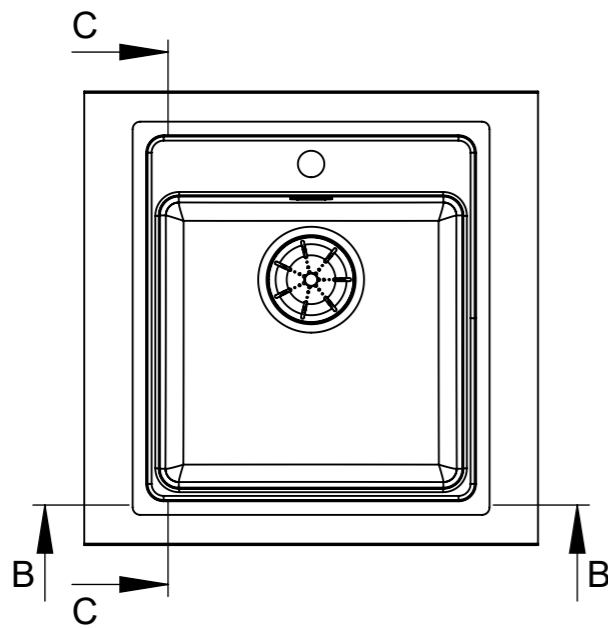
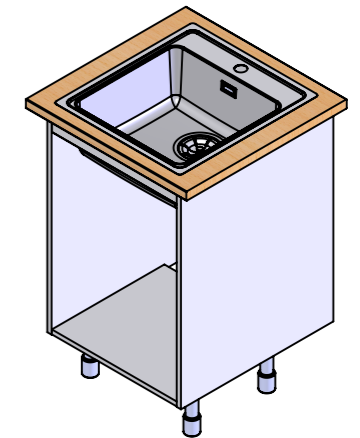
DETAIL D
SCALE 1 : 1



Huom!
Tarvittaessa kaapin väliseinää ja etu/takalistaa lovetettava kiinnikkeitä varten ja pesuallas on kiinnitettävä ennen työtason asennusta.

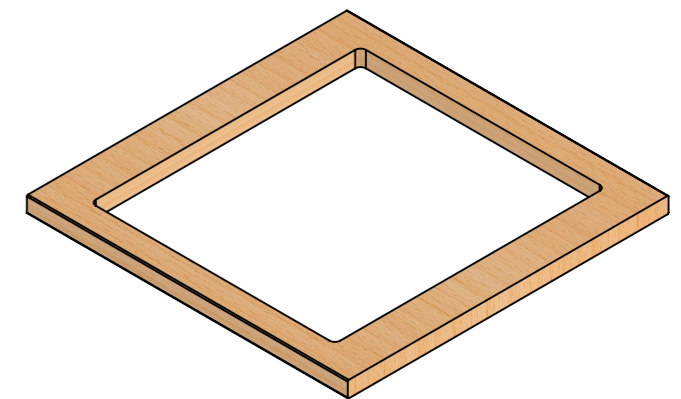
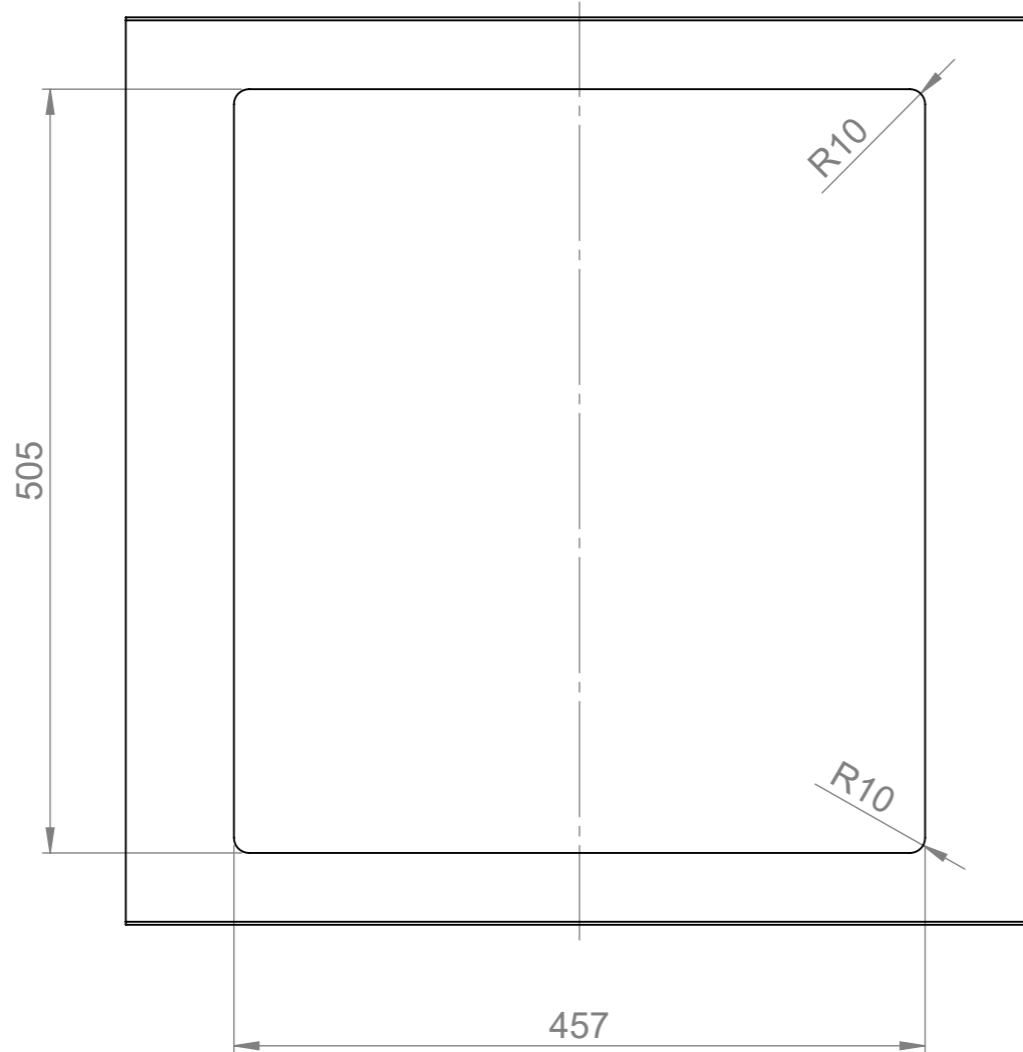
Obs!
Vid behov måste en inskärning för hofästena göras i skåpets mellanvägg och förbindningslist och diskbänken måste fästas innan du monterar bänkskivan.

Notice!
The partition walls and front/back list of the cupboard must be notched for the sink mountings when needed and the sink must be fastened before installing the worktop.



	Mass	kg	General tolerance	Designed by	PJ	Date	03.03.2023	
	Size	A3		Scale	1:10	Item	Approved by	VS
			Description	ONE-T40	Drawing number	19600	Sheet/sheets	3/6
Member of			Technical Data Sheet		19600		Rev	A

CUT-OUT



Change description					Date	Designed by
--------------------	--	--	--	--	------	-------------

	Mass	kg	General tolerance	Designed by	Date
	Size	A3	Scale	PJ	03.03.2023
	Scale	1:5	Description	Approved by	Date
	Item	ONE-T40		VS	08.08.2023
	Description		Technical Data Sheet	Drawing number	Sheet/sheets
	ONE-T40			19600	4/6
				Rev	A

