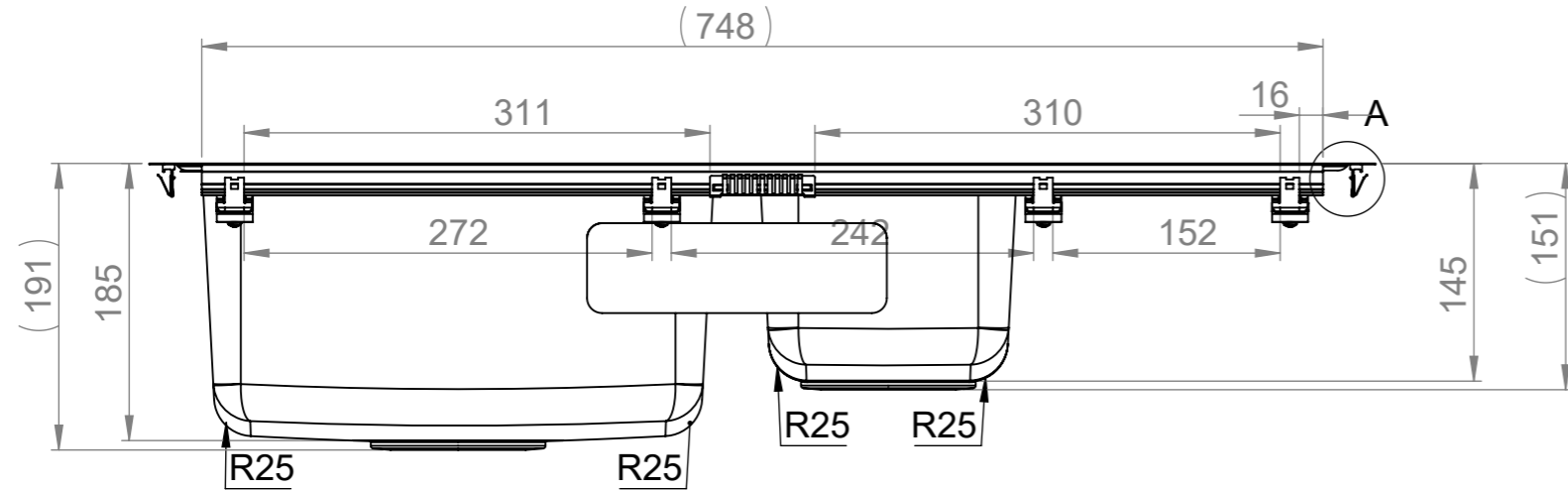


MAIN DIMENSIONS

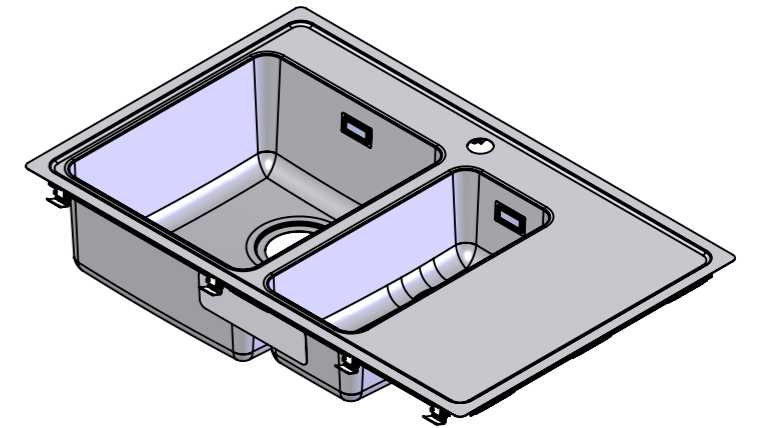
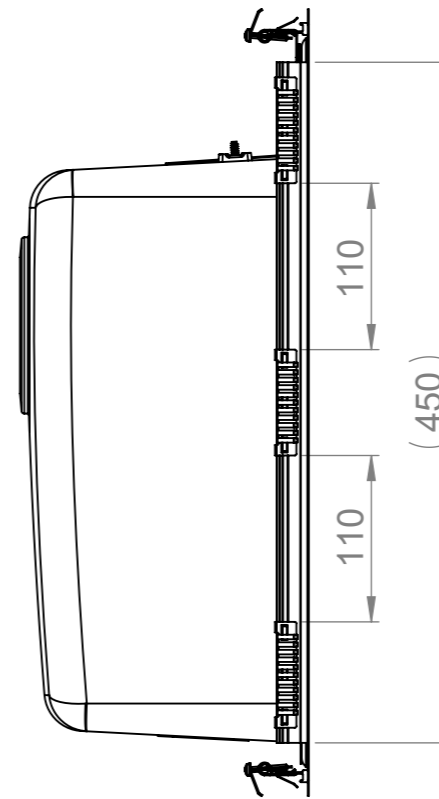
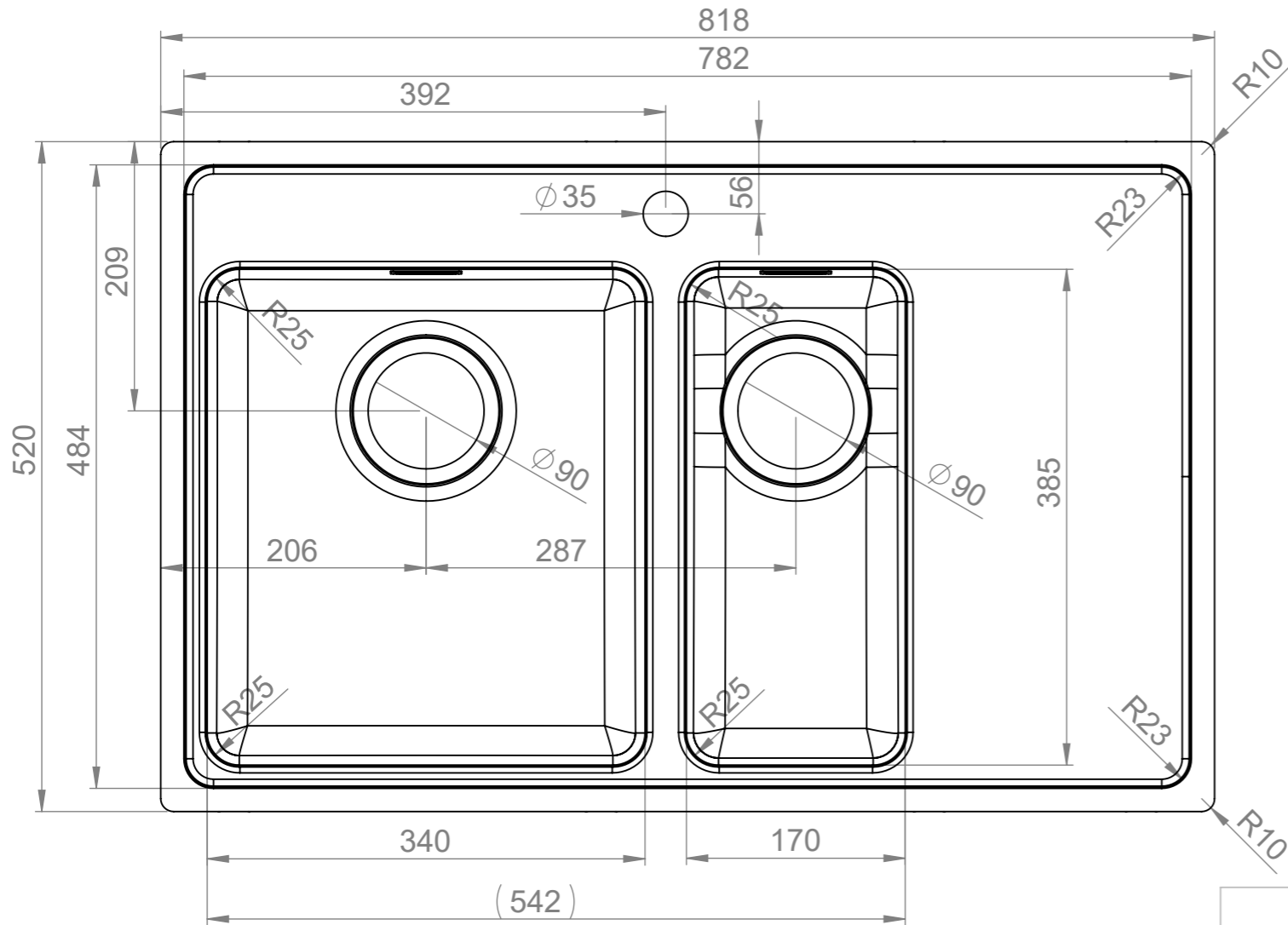
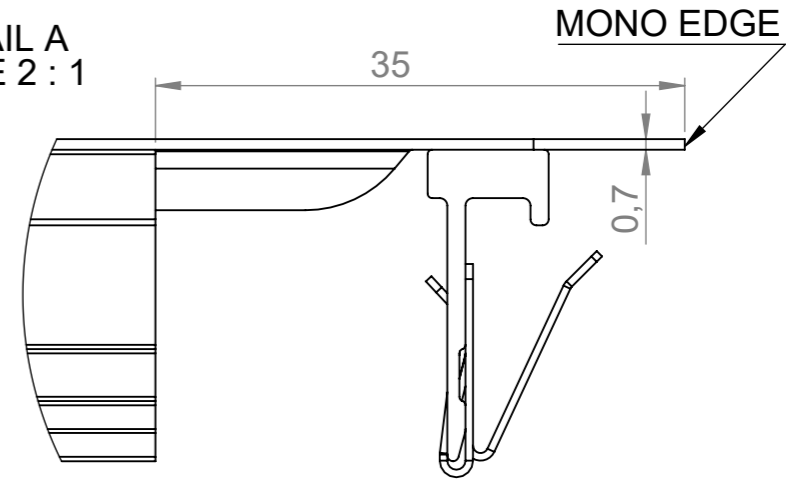
Change description

Date

Designed by



DETAIL A
SCALE 2 : 1



	Mass	kg	General tolerance	Designed by	Date
	Size	A3	Scale	PJ	03.03.2023
	Item	ONE-TDR34-17	Approved by	VS	Date
	Description	Technical Data Sheet	Drawing number	19612	09.08.2023
			Sheet/sheets	1/6	
			Rev	A	

STALA
Member of **ALVEUS**

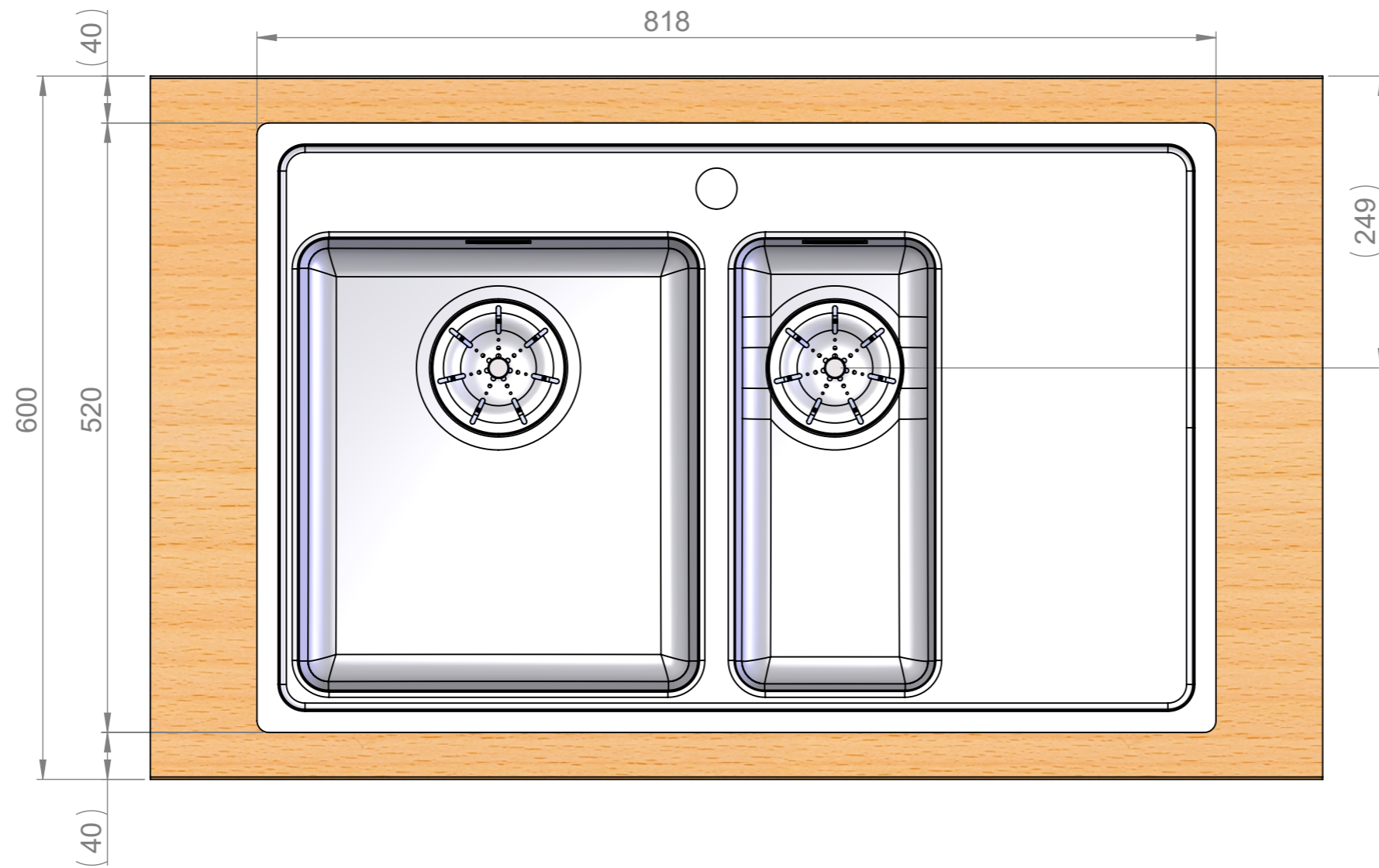
ONE-TDR34-17
Technical Data Sheet

19612

Designed by
PJ
Date
03.03.2023
Approved by
VS
Date
09.08.2023
Drawing number
19612
Sheet/sheets
1/6
Rev
A

WORKTOP ASSEMBLY

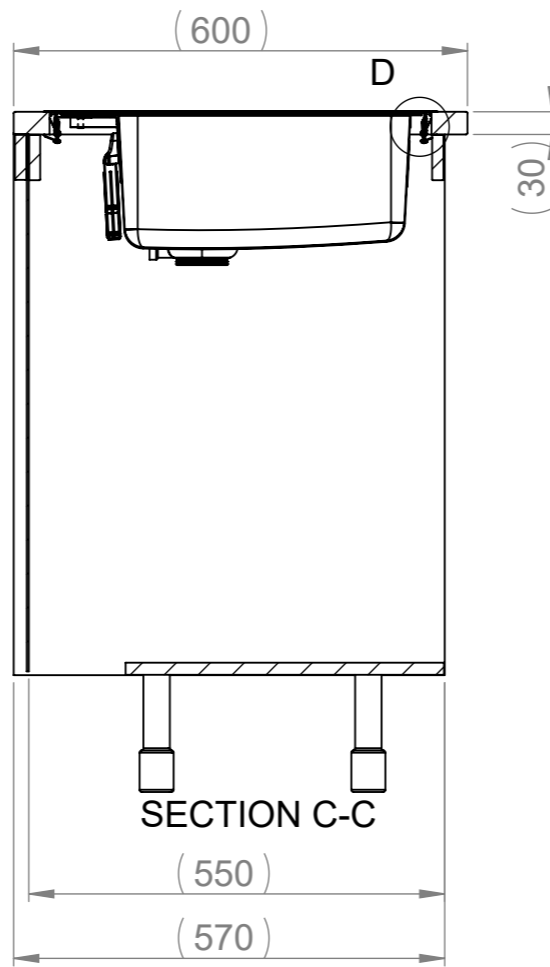
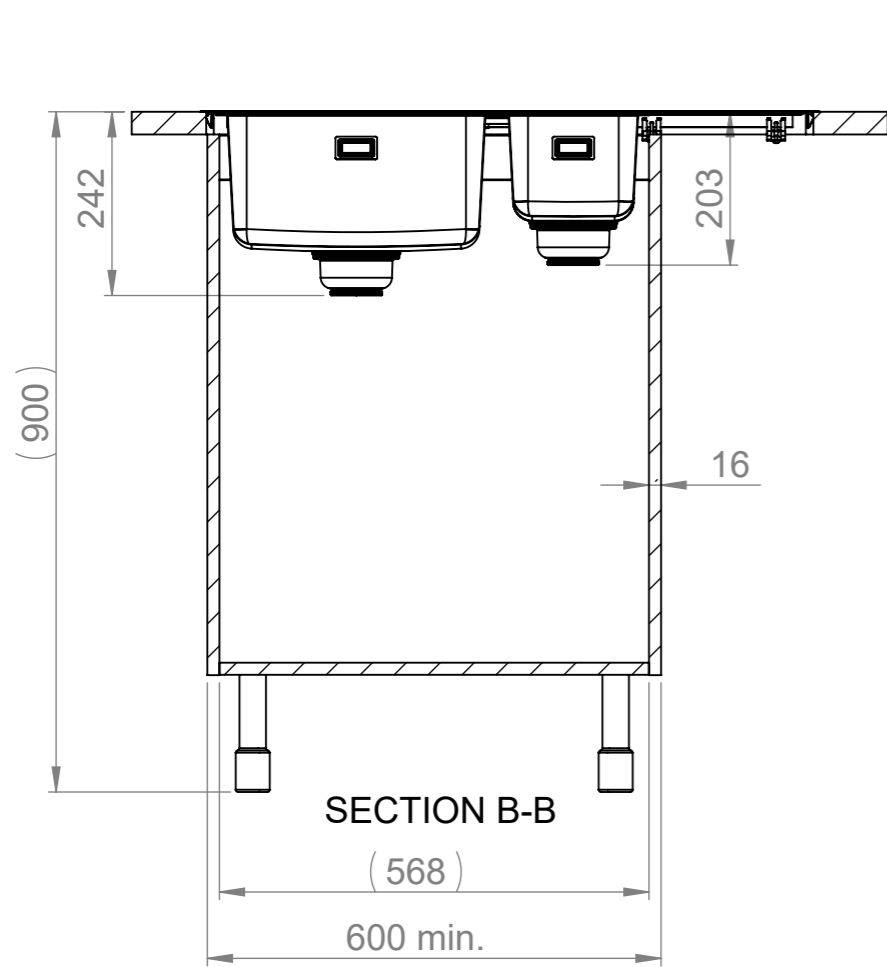
Change description	Date	Designed by
--------------------	------	-------------



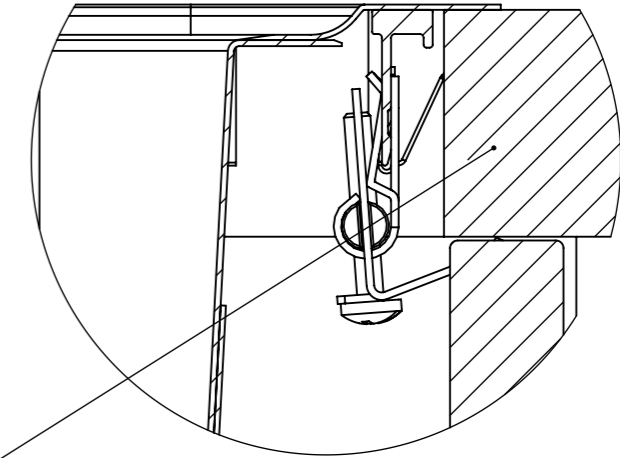
	Mass	kg	General tolerance	Designed by	Date
	Size	Scale	Item	PJ	03.03.2023
 Member of ALVEUS	A3	1:5	Description	Approved by	Date
			ONE-TDR34-17	VS	09.08.2023
			Technical Data Sheet	Drawing number	Sheet/sheets
			19612	2/6	Rev
				A	

SPACE REQUIREMENTS

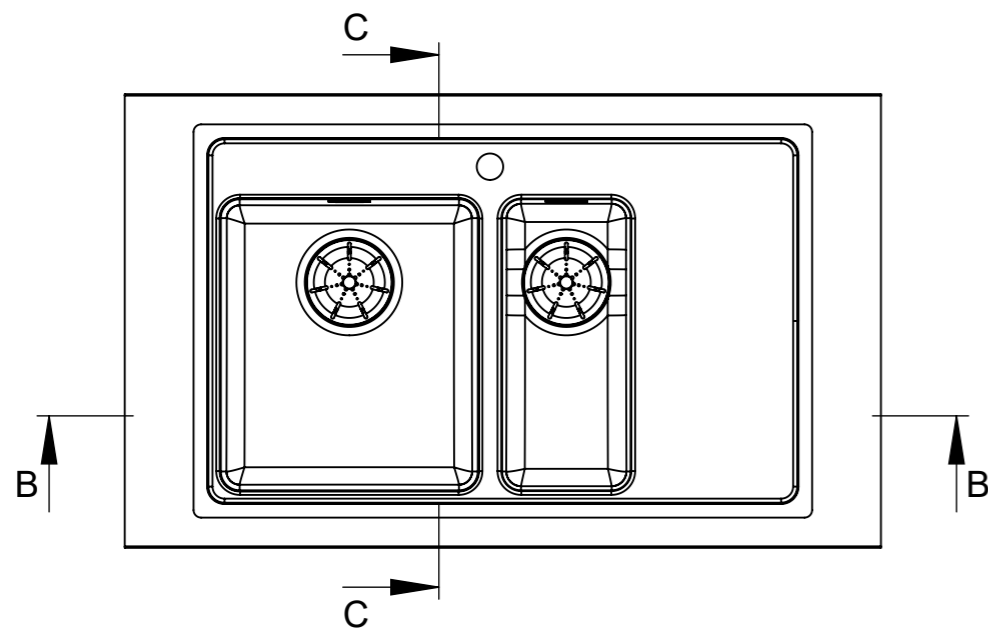
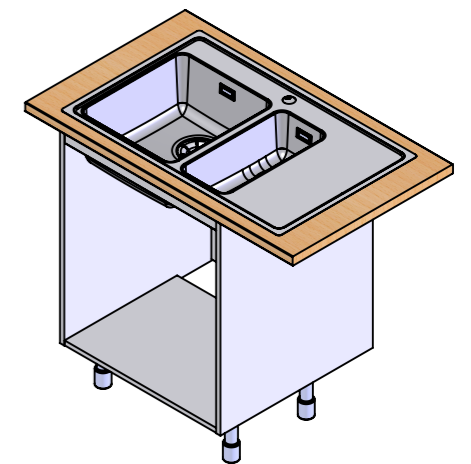
Change description	Date	Designed by
--------------------	------	-------------



DETAIL D
SCALE 1 : 1



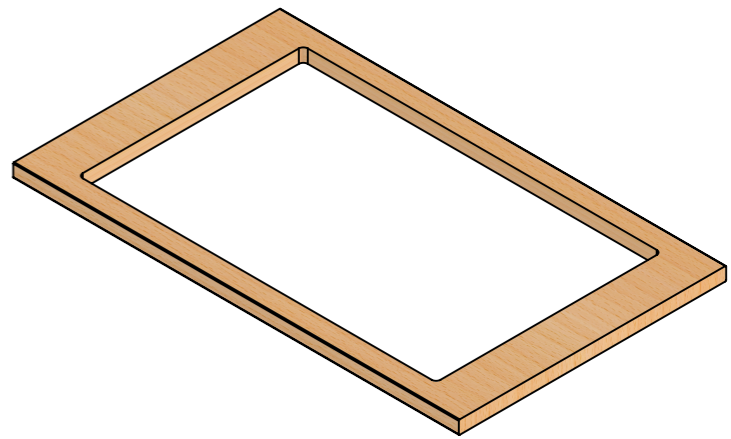
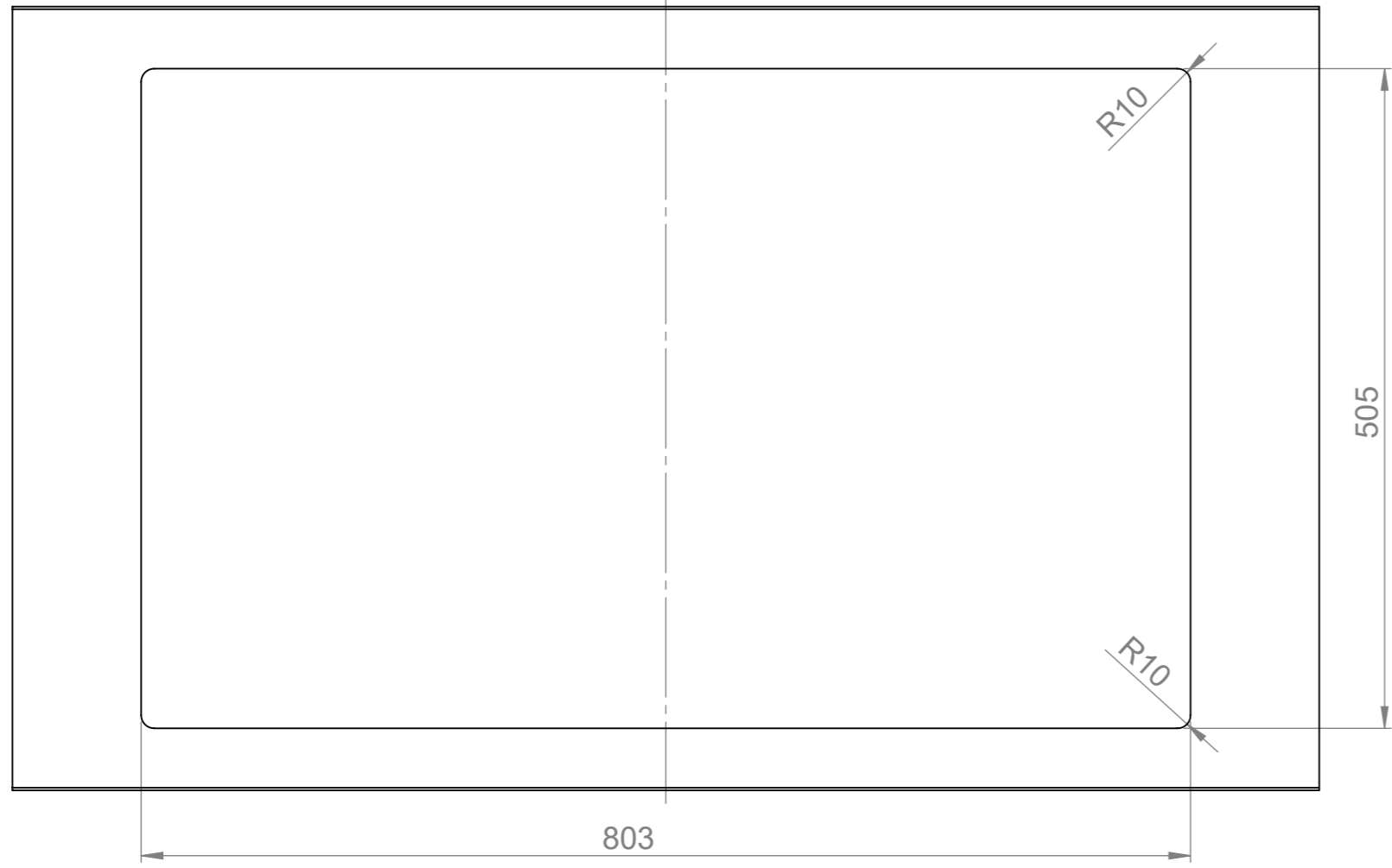
Huom!
Tarvittaessa kaapin väliseinää ja etu/takalistaa lovetettava kiinnikkeitä varten ja pesuallas on kiinnitettävä ennen työtason asennusta.
Obs!
Vid behov måste en inskärning för hofästena göras i skåpets mellanvägg och förbindningslist och diskbänken måste fästas innan du monterar bänkskivan.
Notice!
The partition walls and front/back list of the cupboard must be notched for the sink mountings when needed and the sink must be fastened before installing the worktop.



	Mass	kg	General tolerance	Designed by	Date
	Size	Scale	Item	PJ	03.03.2023
 Member of ALVEUS	A3	1:10	Description	Approved by	Date
	ONE-TDR34-17		VS	VS	09.08.2023
	Technical Data Sheet		19612	Drawing number	Sheet/sheets
				Rev	A

CUT-OUT

Change description						Date	Designed by
--------------------	--	--	--	--	--	------	-------------



	Mass	kg	General tolerance	Designed by	Date
	Size	Scale	Item	Approved by	Date
			Description	Drawing number	Sheet/sheets
Member of			ONE-TDR34-17	19612	4/6
Technical Data Sheet				Rev	A

